



Venus Enterprises



Catalogue No. VE / 003

CAST STEEL GATE VALVE

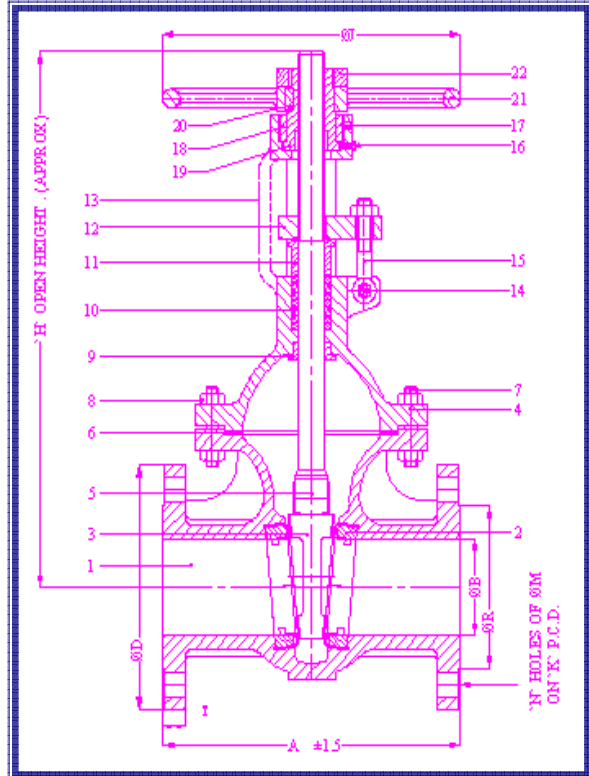
CLASS 300/ 600

LIST OF MATERIALS

Sr.	Item	Qty.	Material
1	Body	1	ASTM A - 216 Gr. WCB ASTM A - 351 Gr. CF8 / CF8M
2	Seat ring	2	CS With 13% Cr.Facing AISI - 304 / 316(Integral)
3	Wedge	1	CS With 13% Cr.Facing AISI - 304 / 316
4	Bonnet	1	ASTM A - 216 Gr. WCB ASTM A - 351 Gr. CF8 / CF8M
5	Spindle	1	AISI - 410 / 304 / 316
6	Gasket	1	Spiral Wound SS 304 With CAF Filler / P.O
7	Bonnet Stud	As Req.	ASTM A - 193 Gr. B7
8	Bonnet Stud Nut	As Req.	ASTM A - 194 Gr. 2H
9	Bonnet Bush	1	AISI - 410 AISI - 304 / 316 Integral
10	Gland Packing	MIN. 7	Inconel wire reinforced Graphited asbestos.
11	Gland Bush	1	AISI - 410 / 304 / 316
12	Gland Flange	1	Carbon Steel AISI - 304
13	Name Plate	1	Aluminium
14	Cross bolt & Nut	2	Carbon Steel AISI - 304
15	Eye bolt & Nut	2	Carbon Steel AISI - 304
16	Grease Nipple	1	Commercial
17	Grub Screw	1	Commercial
18	Yoke Bush	1	Carbon Steel
19	Yoke Sleeve	1	Al.Bronze / Ni - Resist
20	Hand Wheel Key	1	Carbon Steel
21	Hand Wheel	1	Cast Iron / M.I
22	Hand Wheel Nut	1	Carbon Steel

TECHNICAL DATA

Manufacturing Standard : API 600
 Testing Standard : API 598
 Face to Face to : ANSI B 16.10
 Flanges to : ANSI B 16.5



A S A - 3 0 0

SIZE	B	A	D	T	R	K	N	M	H	J
40	38	190	156	21	73	114	4	22	305	152
50	51	216	165	22	92	127	8	19	405	200
65	63	241	191	25	105	149	8	22	470	250
80	76	282	210	29	127	168	8	22	505	250
100	102	305	254	32	157	200	8	22	615	300
150	152	403	318	37	216	270	12	22	865	350
200	203	419	381	41	270	330	12	25	1092	450
250	254	457	445	48	324	387	16	29	1300	500
300	306	502	521	51	381	451	16	32	1440	550

A S A - 6 0 0

SIZE	B	A	D	T	R	K	N	M	H	J
50	51	292	165	25	92	127	8	19	480	250
65	63	330	190	29	105	149	8	22	530	250
80	76	356	210	32	127	168	8	22	630	300
100	102	432	273	38	157	216	8	25	750	350
150	154	559	356	48	216	292	12	29	975	450
200	203	660	419	56	270	349	12	32	1230	500

SERVICE RATING & TEST PRESSURE (P S I G)

CLASS	TEMP	HYDRO.		
		BODY	SEAT	SEAT AIR
300	850°F	1114	814	100
600	850°F	2232	1629	100

ENGINEERING OPTIONS:

- 1) Stellite is done on Seat ring & Wedge if required.
- 2) Remote operation on request

Note :

- 1) For 600 # Raised face Thickness = 6.4
- 2) For 600 # raised face thickness is not included to flange thickness.

All Dimensions are in M.M